



RACK MOUNTING GUIDE PM PDU Vertical Power Strip

The following instructions will help you rack mount your Avocent PM PDU. Should you require further assistance, please contact Avocent Technical Support.

Rack mounting using the toolless keyed mounting hardware

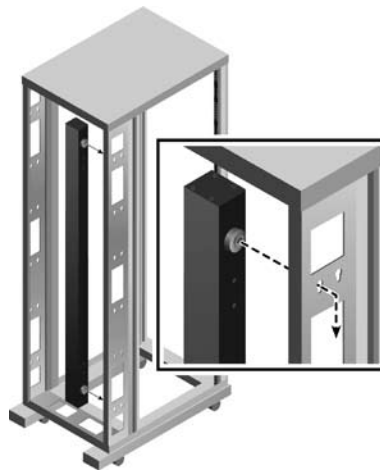
- ❶ Locate the two pre-installed round plastic keys on the far ends of the back of the PM PDU.
- ❷ Line up each key with the large end of the keyhole-shaped mounting socket on each end of the rack. Insert the keys and then pull down to lock the PM PDU in place.

Rack mounting using the universal mounting brackets

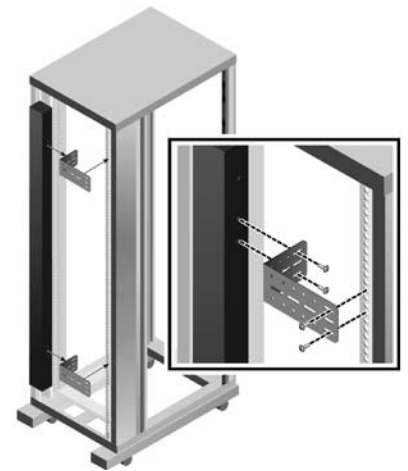
- ❶ Locate the four pre-installed machine screws on the ends of the back of the PM PDU. Remove these four screws, leaving the plastic keys installed.
- ❷ Using the same screws you just removed, attach the L-shaped universal mounting brackets to the PM PDU, making sure they are in the desired orientation. Using two screws (designed for your rack) for each bracket, attach the PM PDU to the rack. Leave enough space at either end for cable connections.

NOTE: Ensure the positioning of the bracket does not interfere with equipment in the rack or doors.

Toolless keyed mounting



Universal bracket mounting



Bracket configurations

